

Kidde ECS Advanced Delivery Fire Suppression System Component Description

1-inch Nitrogen Manifold, High Pressure Hose for Use
with All Nitrogen Driver Manifolds P/N: 06-118324-001



Effective: June 2014

K-90-113

FEATURES

- Flexible Hose with 1-inch Swivel Fitting for Easy Installation
- One Size Fits All Nitrogen Manifold Systems
- Part Number Stamped on Hose for Easy Identification
- RoHS Compliant

DESCRIPTION

The Kidde ECS ADS Fire Suppression System with FM-200[®] Agent 1-in. Nitrogen Manifold, High Pressure Hose is used to provide the interconnection between the nitrogen manifold and the transfer fitting on the agent cylinder (see Figure 2). Made to be flexible and easy to install, the nitrogen manifold comes equipped with a 1-in. swivel fitting with a hex nut for attachment to the nitrogen manifold. One size is available for all nitrogen manifold systems (P/N 06-118324-001).

INSTALLATION



In order to prevent injury in the event of inadvertent nitrogen discharge, the nitrogen manifold hose must always be connected to the agent cylinder and to the nitrogen manifold before attaching the discharge head to the nitrogen cylinder valve.

Apply thread tape or pipe dope to the 3/4-in. male NPT thread and 1-in. male NPT swivel thread of the hose. Connect the transfer hose to the 3/4-in. transfer fitting of the actuation kit (P/N 06-129882-001). Take the other end of the hose and attach the 1-in. swivel fitting to the nitrogen manifold. Make certain that the hose is not kinked.

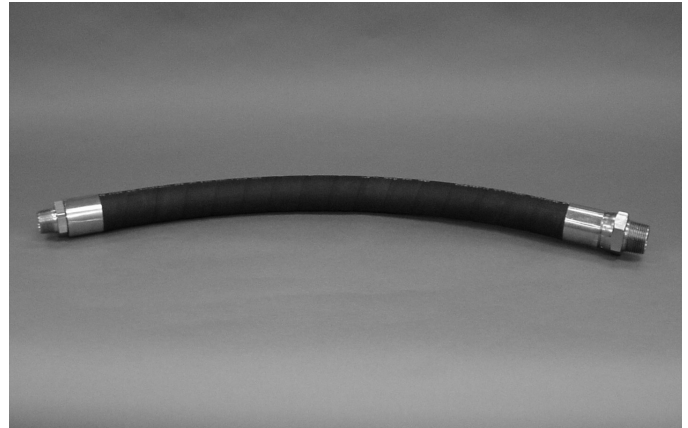
MAINTENANCE

MONTHLY:

Inspect nitrogen transfer hose for loose fittings, damaged threads, cracks, distortions, cuts and frayed wire braiding. Tighten loose fittings. Replace hoses that have any stripped threads or other damage. Inspect couplings and tees for tightness.

5 YEAR:

Flexible hoses must be hydrostatic pressure tested every five years in accordance with requirements in NFPA 2001.



SPECIFICATIONS

Outer Diameter:	1.625 in. (3.175 cm)
Inner Diameter:	1 in. (2.54 cm) minimum
Inner Hose Material:	Buna-N Synthetic
Core of Hose:	Double Wire Braided
Outer Hose Material:	Neoprene Synthetic Rubber
Temperature Range:	-40°F to 212°F (-40°C to 100°C)
Minimum Burst Pressure:	6,000 PSI (413 bar)
Couplings Plated:	Electroless Nickel
Approximate Weight:	2.8 lb. (1.27 kg)

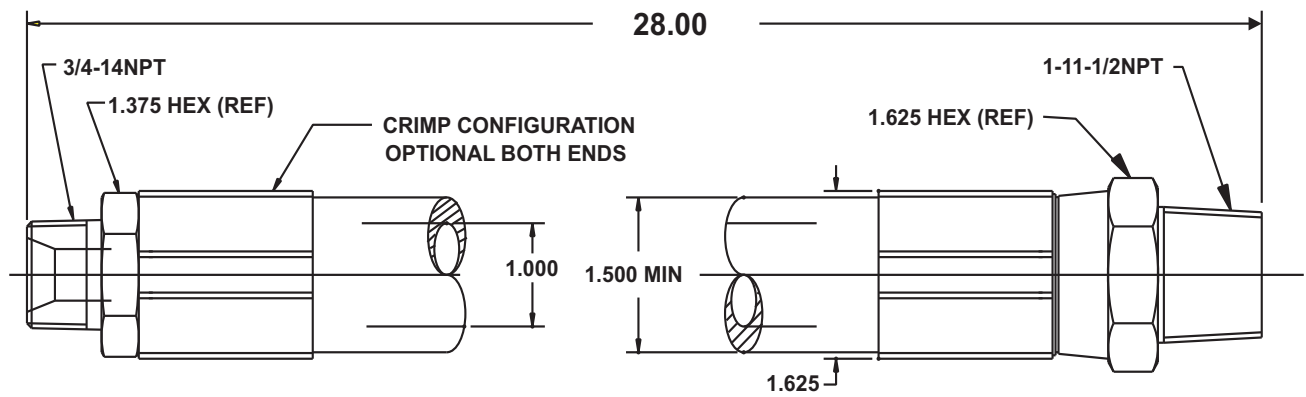


Figure 1. Nitrogen Transfer Hose

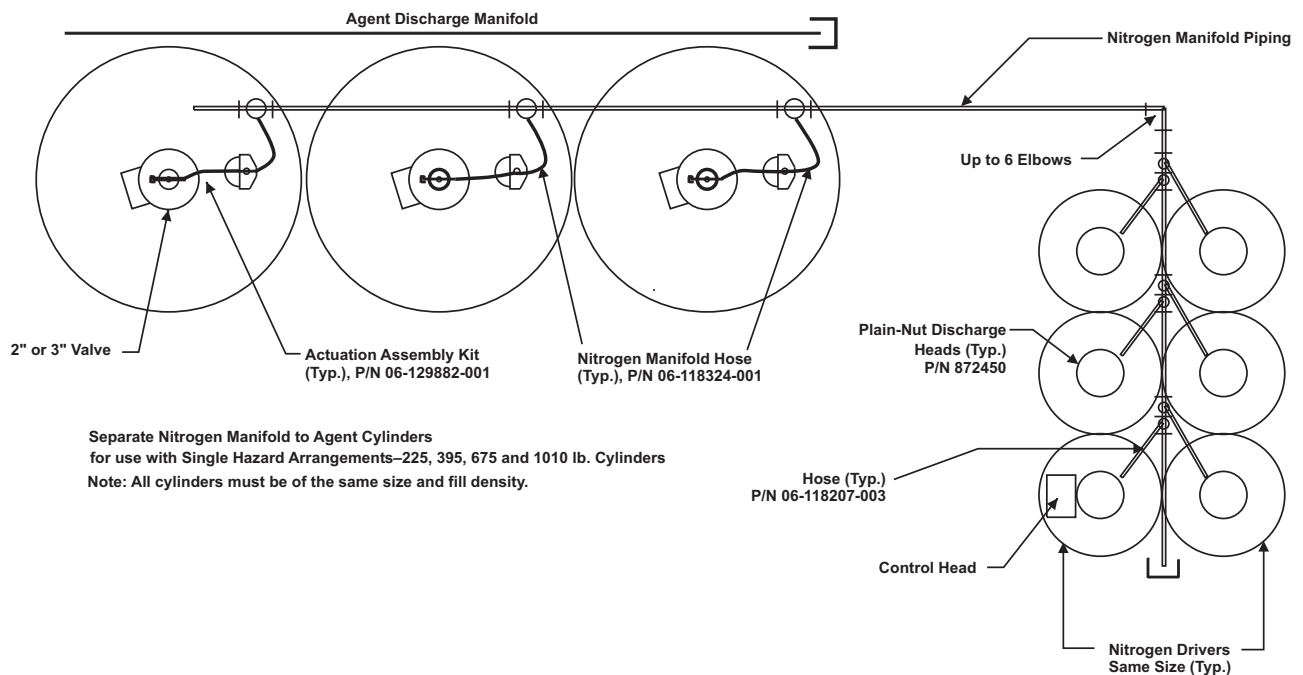


Figure 2. Nitrogen Manifold

ORDERING INFORMATION

Part Number	Description	Dimension "A" Inches	Dimension "A" Centimeters
06-118324-001	1-in. Nitrogen Manifold Hose for use with Nitrogen Manifolding Only	28.00	71.12

FM-200 is a registered trademark of E.I. du Pont de Nemours and Company. Kidde is a registered trademark of Kidde-Fenwal Inc. All other trademarks are the property of their respective owners.

This literature is provided for informational purposes only. KIDDE-FENWAL, INC. assumes no responsibility for the product's suitability for a particular application. The product must be properly applied to work correctly. If you need more information on this product, or if you have a particular problem or question, contact Kidde-Fenwal Inc.

